



Item # _____

Model 800A Series Manual Gravity Feed Slicers

- 825A 10" Knife
- 827A 12" Knife



Model 825A



Safety and Convenience Features

Berkel Models 825A and 827A manual gravity feed slicers feature Berkel's hollow ground, chromium-plated carbon steel knife and built-in, dual-action sharpener with convenient handle located on the sharpener cover. The tapered permanent guard covers the non-slicing portion of the knife even when the sharpener and center plate are removed. The 45° table makes product feed easier, creating more consistent and uniform slices with less waste. The compact space-saving design is ideal for limited kitchen counter space. Units are easy to clean and disassemble quickly without tools.

Standard Features

- 1-speed, 1/4 HP (825A), 1/3 HP (827A), totally enclosed and permanently lubricated knife motor
- Furnished in 115/60/1, 2.5 amp, AC, ETL listed
- Finish is stainless steel and sanitary, anodized aluminum; unit disassembles quickly without tools for easy cleaning
- 45° Product table
- 825A is a nominal 10" (250 mm) diameter; 827A is a nominal 12" (300 mm) diameter; hollow ground, hardened and polished forged chromium-plated carbon steel knife
- 825A carriage handles food up to 8-3/4" (222 mm) wide, by 6" (152 mm) high or 7" (178 mm) diameter; 827A carriage handles food up to 10-3/4" (273 mm) wide, by 7-5/8" (194 mm) high or 7-3/8" (187 mm) diameter
- Precise slice adjustment to a thickness of 9/16" (14 mm)
- Built-in, top-mounted, two stone knife sharpener with dual-action system
- Permanent, tapered knife ring guard covers non-slicing portion of knife even when the sharpener and center plate are removed; ring guard design provides more room behind the knife for easy cleaning
- Positive, moisture protected, rotary on/off switch and power indicator light
- Attached 6-foot, flexible, 3-wire cord and plug for grounded receptacle

Accessories

- Stainless steel vegetable chute with pusher (827A only)

Approved By: _____ Date _____

Berkel Company • 4406 Technology Drive • South Bend, IN 46628-9700
 574-232-8222 • 800-348-0251 • FAX 888-888-2838 • www.berkel.com



Manual Gravity Feed Slicer Model 800A Series

Berkel

Model 800A Series Manual Gravity Feed Slicers

Model No.	Cutting Capacity	Slice Thickness	Knife Diameter	Product Dimensions		
				Width A	Depth B	Height C
825A	8-3/4" (222mm) wide 6" (152 mm) high 7" (178 mm) diameter	to 9/16" (14 mm)	10" (250mm)	17-1/2" (445 mm)	21-1/8" (537 mm)	15" (381 mm)
827A	10-3/4" (273 mm) wide 7-5/8" (194 mm) high 7-3/8" (187 mm) diameter	to 9/16" (14 mm)	12" (300mm)	20" (508 mm)	25-1/4" (641 mm)	16-7/8" (429 mm)

	Motor	Electrical	Weight Net	Ship	Box Dimensions		
					Width	Depth	Height
825A	1-speed 1/4 HP	115/60/1	37 lbs. (17 kg.)	47 lbs. (21 kg)	24-3/4" (629 mm)	19-3/4" (502 mm)	17-1/2" (445 mm)
827A	1-speed 1/3 HP	115/60/1	60 lbs. (28 kg.)	74 lbs. (35kg)	29" (737 mm)	24-1/2" (622 mm)	22-3/4" (578 mm)

Specifications

Motor: 1-speed, 1/4 HP (☐ 825A), 1/3 HP (☐ 827A), totally enclosed, permanently lubricated ball bearings, thermally protected.

Electrical: Furnished in 115/60/1, 2.5 amp, AC, ETL listed.

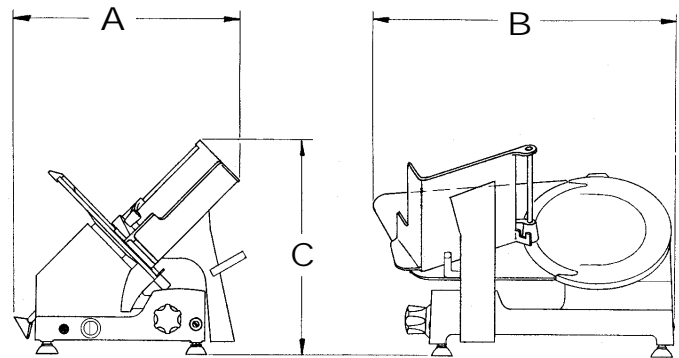
Finish/Construction: All food contact areas are stainless steel or anodized aluminum including the pusher, gauge plate, product table, center plate, slice deflector, ring guard, sharpener cover and one-piece base. Slicer disassembles quickly without tools for easy cleaning.

Knife: ☐ 825A is a nominal 10" (250 mm) diameter; ☐ 827A is a nominal 12" (300 mm) diameter, hollow ground, hardened and polished forged chromium-plated carbon steel.

Cutting Capacity: ☐ 825A carriage handles food up to 8-3/4" (222 mm) wide by 6" (152 mm) high or 7" (178 mm) diameter; ☐ 827A carriage handles food up to 10-3/4" (273 mm) wide by 7-5/8" (194 mm) high or 7-3/8" (187 mm) diameter.

Slice Thickness: Precision system provides infinite slice adjustment and consistent cuts of hard or soft foods from tissue thin to 9/16" (14 mm).

Full Gravity Feed: Full 45° angle feed requires less mechanical pressure. Equipped with anodized aluminum pusher to hold product and minimize waste.



Knife Sharpener: Built-in, top-mounted, two stone dual-action system for a lasting, razor-sharp edge. Unit is removable and submersible for easy cleaning.

Knife Ring Guard: Permanent, tapered guard covers non-slicing portion of knife edge even when the sharpener and center plate are removed. The ring guard is designed to provide added room behind the knife for easy cleaning.

On/Off Switch: Highly reliable, moisture resistant, rotary on/off switch and power indicator light.

Cord and Plug: Attached 6-foot, flexible, 3-wire cord and plug for grounded receptacle.

Warranty: All parts, service and travel coverage for one year, excluding wear items.

As we continually strive to improve our products, specifications are necessarily subject to change without notice.

Manual Gravity Feed Slicer Model 800A Series

Berkel

Berkel Company • 4406 Technology Drive • South Bend, IN 46628-9700
574-232-8222 • 800-348-0251 • FAX 888-888-2838 • www.berkel.com